



**Variable area flowmeter for low flow gas or liquid applications and sample flow monitoring.**

The WT-600 is variable area flowmeter for monitoring and adjusting extremely small flow rates of liquids. It is thus particularly useful for sample flow monitoring in analyser systems and gas chromatographs or measuring liquids and gases in laboratories and pilot installations. Blinds and supports are available for panel mounting to purge panels or similar applications. By using a lab support, the flowmeters can be converted into a desktop unit.

- Cost-effective small purgemeter
- Glass tube with analogue scale, valve
- Low-cost measuring principle without auxiliary power
- Fine metering of very small volumes of liquids and gases
- Integrated high quality needle valve in foot or head piece
- No wearing parts
- Accuracy:  $\pm 2.5\%$ ;  $-5...+120^{\circ}\text{C}$ ; max. 10 barg

**Specifications**

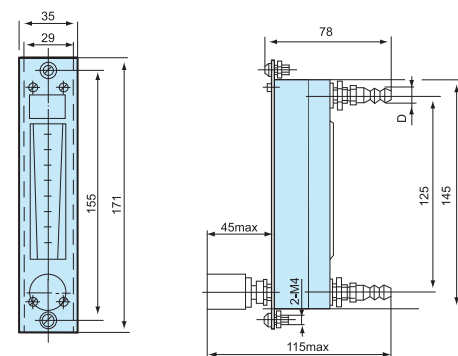
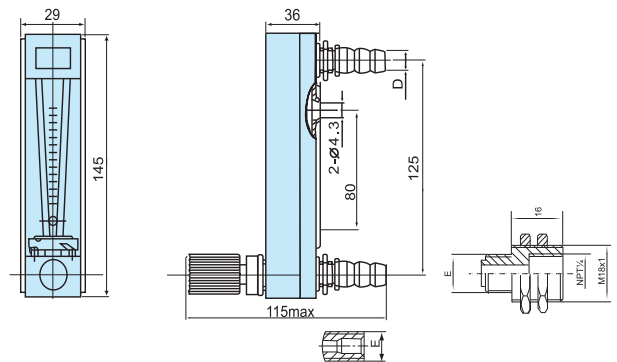
DN (mm)	Model	Measuring range		Float material
		Water L/h	Air L/h	
4F	DK800S-4	0.25~2.5	0.5~5 0.8~8 1.6~16 4~40 6~60	304SS
6F	DK800S-6	0.5~5 1.2~12 2~20 2.5~25 4~40 6~60 10~100 16~160	10~100 25~250 50~500 80~800 100~1000 180~1800 240~2400 300~3000 350~3500 430~4300	



**Sizes (mm)**

Model	D	E	Connection	Weights (KG)
WT-604F	11	M10x1 BSP1/4"	1/4NPT female 1/4BSP female hose of 11mm	0.45
WT-606F				

Note: Special order is optional for requirement.



Unit: mm

**WT600**

**How to order**

